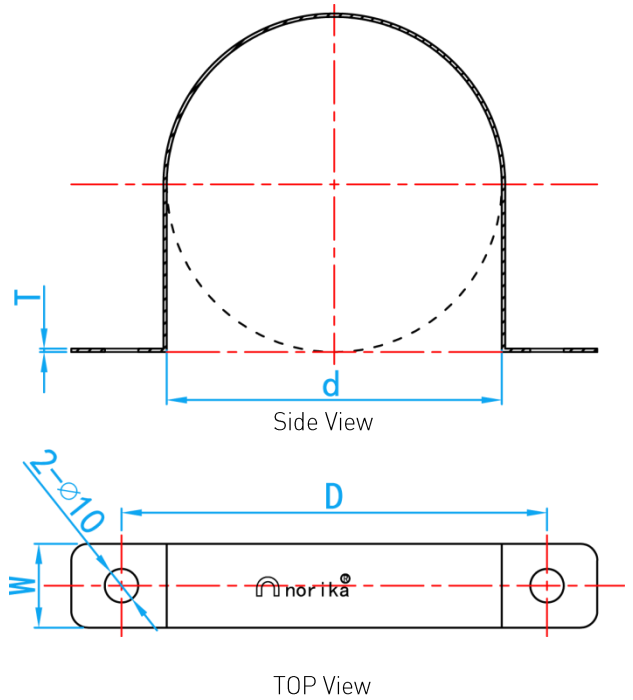
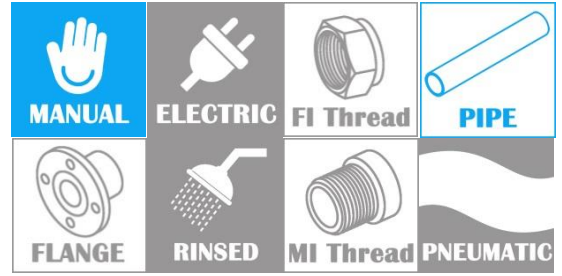


# STAINLESS STEEL 304 TYPE 'E' PIPE CLAMP



## DIMENSIONS

SKU	SIZE (mm)	d (mm)	D (mm)	T (mm)	W (mm)	WEIGHT (kg)	PCS/CTN
PCTE050SS304	2"	58	90	1.0	25	0.036	300
PCTE065SS304	2-1/2"	75	107	1.0	25	0.044	300
PCTE080SS304	3"	86	118	1.0	25	0.050	250
PCTE100SS304	4"	111	143	1.0	25	0.064	150
PCTE150SS304	6"	162	194	1.0	25	0.085	150